

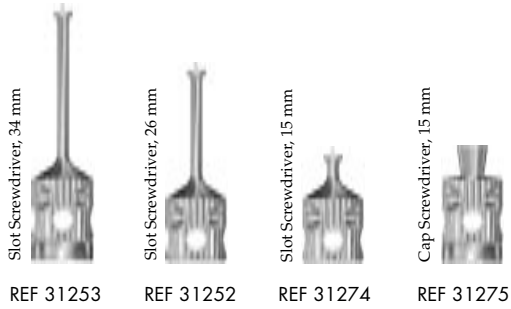


Cresco API™ for SwissPlus™

Platform Ø 4.8 mmD		Cresco API™	REF 30340	REF 30540	REF 30840		
Prosthetic Components		Laboratory Components		Includes Bridge Support in			
Impression Element and Pin	Bridge Screw	Replica	Process Screw	Wax Tube	Titanium	Burnout	Cobalt-Chrome

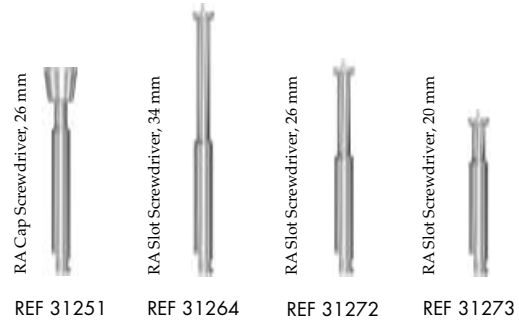
Cresco™ restorative instruments for SwissPlus™

Screwdrivers



Slot Screwdriver, Long

RA Screwdrivers



Instruments

REF 31276



Torque Ratchet Wrench with individual adjustment of the torque to 15, 20 and 35 Ncm

REF 31248



Counter Torque Key, flat grip

REF 22437



Forceps titanium, 94 mm

SwissPlus™ is a trademark of Zimmer Dental INC., USA.

Cresco™ and Cresco API™ are trademarks of Astra Tech AB, Sweden.

